

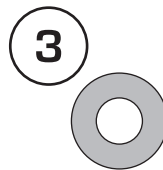
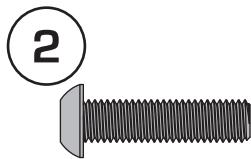
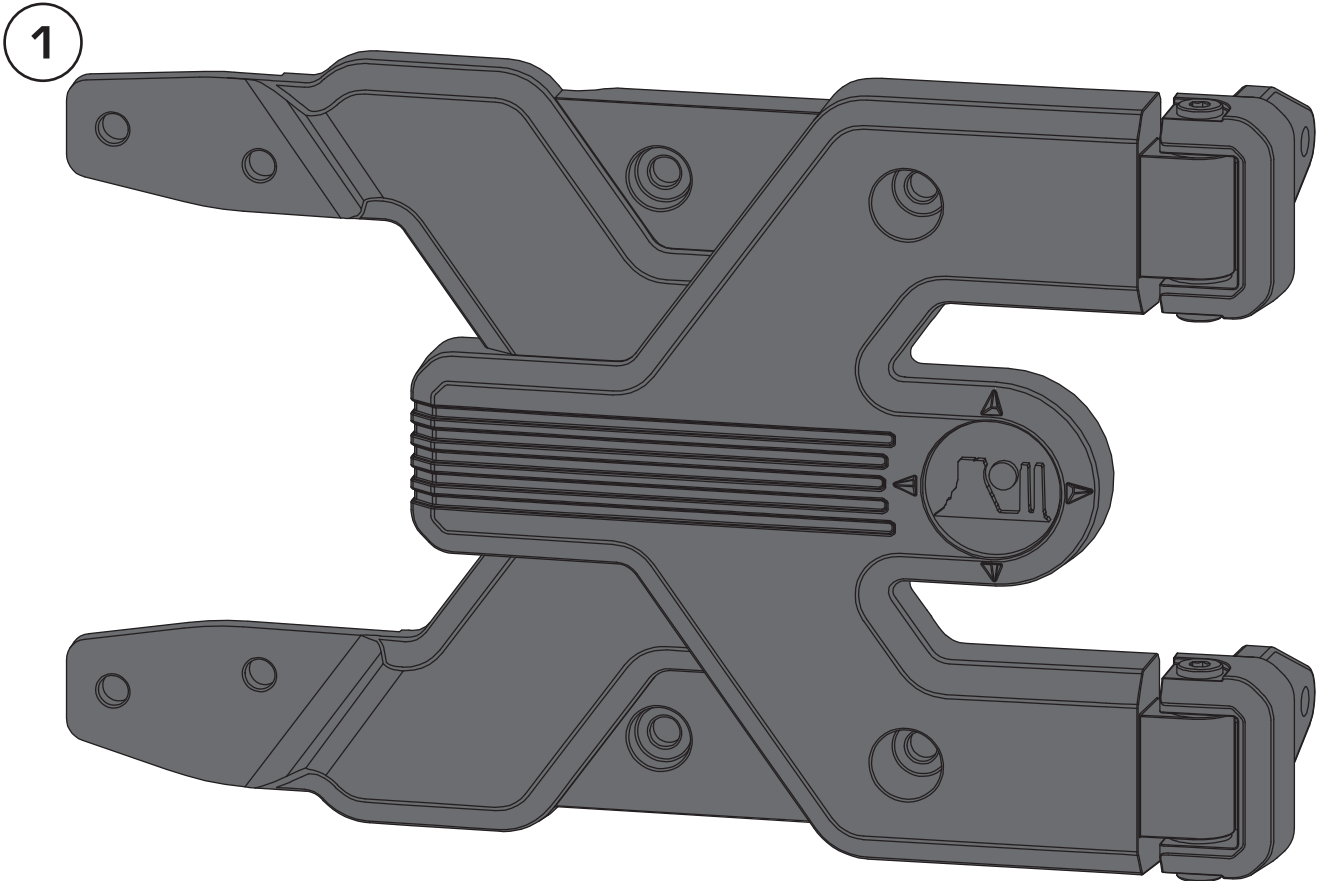


OMIX-ADA, Inc.

Part # 11546.56

460 HORIZON DR. SUITE 400 | SUWANEE, GA 30024 | PHONE: 770-614-6101 | FAX: 844-270-0593 | www.Omix-ADA.com

Spartacus HD Tire Carrier - Hinge Casting, JL Wrangler PATENT PENDING



Components

- 1. Spartacus Hinge Casting
- 2. M10 Bolt

- (1) 3. M10 Washer (4)
- (4) 4. Spacer Plate (2)

OMIX-ADA® TECHNICAL SUPPORT

PHONE: M-F 8am - 5pm EST 1-800-449-6649

FOR WARRANTY OR TECH CONCERNS EMAIL: webmaster@omixsupport.com



OMIX-ADA, Inc.

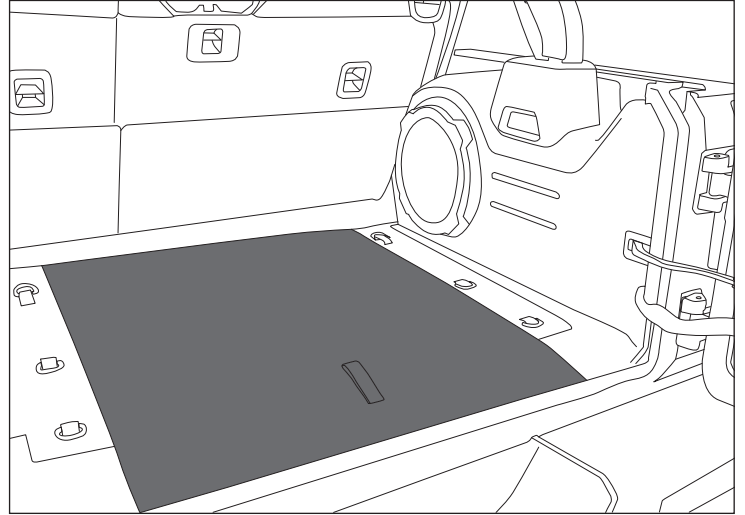
460 HORIZON DR. SUITE 400 | SUWANEE, GA 30024 | PHONE: 770-614-6101 | FAX: 844-270-0593 | www.Omix-ADA.com

Spartacus HD Tire Carrier - Hinge Casting, JL Wrangler

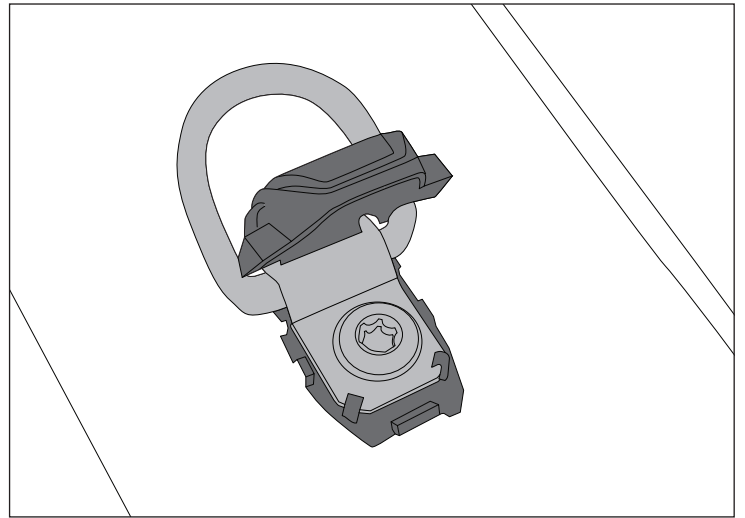
1. Remove center cargo flooring.

NOTICE

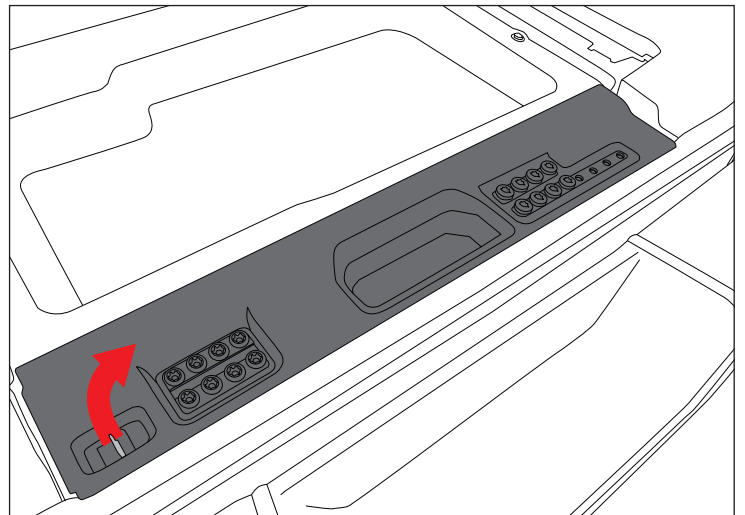
Images used throughout instructions are of 4 Door model. If installing on 2 Door model, factory components will be slightly different.



2. Remove passenger side tie downs using T40 Torx drive and remove carpeted panel.



3. Remove trim panel to expose factory jack and lug wrench.





OMIX-ADA, Inc.

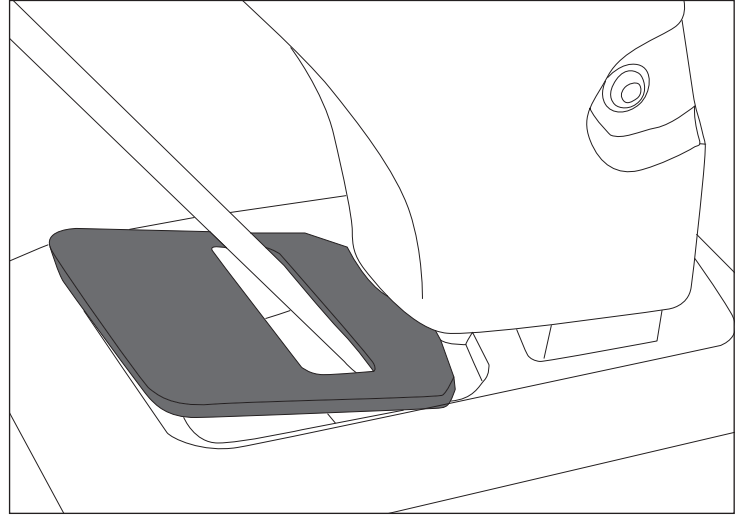
460 HORIZON DR. SUITE 400 | SUWANEE, GA 30024 | PHONE: 770-614-6101 | FAX: 844-270-0593 | www.Omix-ADA.com

Spartacus HD Tire Carrier - Hinge Casting, JL Wrangler

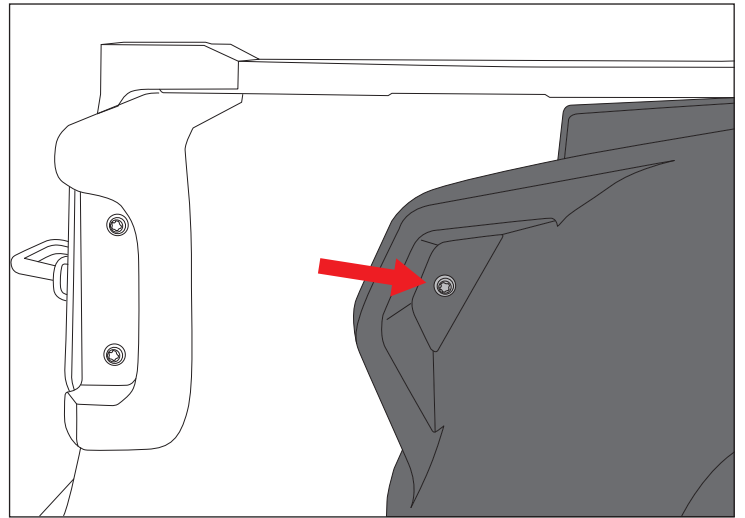
4. Remove seat belt retainer trim.

NOTICE

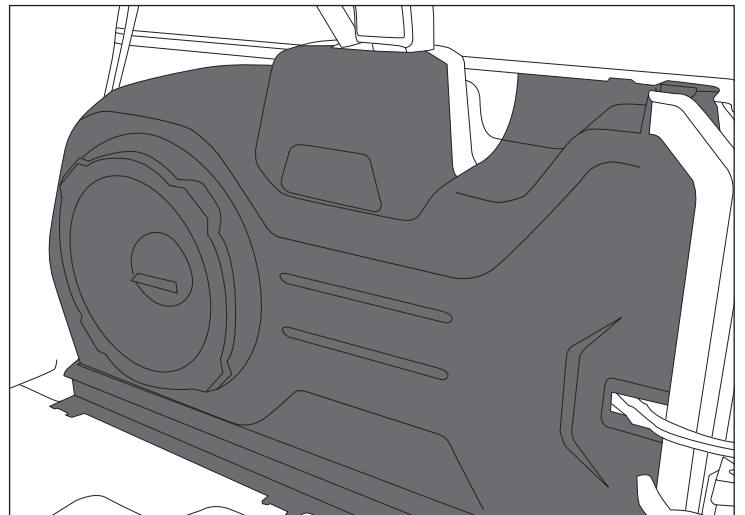
If installing on 2 Door Wrangler, skip to step 6. If installing on 4 Door Wrangler, proceed to step 5.



5. Remove screw by passenger side rear door using T25 Torx drive.



6. Starting toward front of vehicle, lightly pry trim panel out of place. Trim panel snap locations may vary between different models.



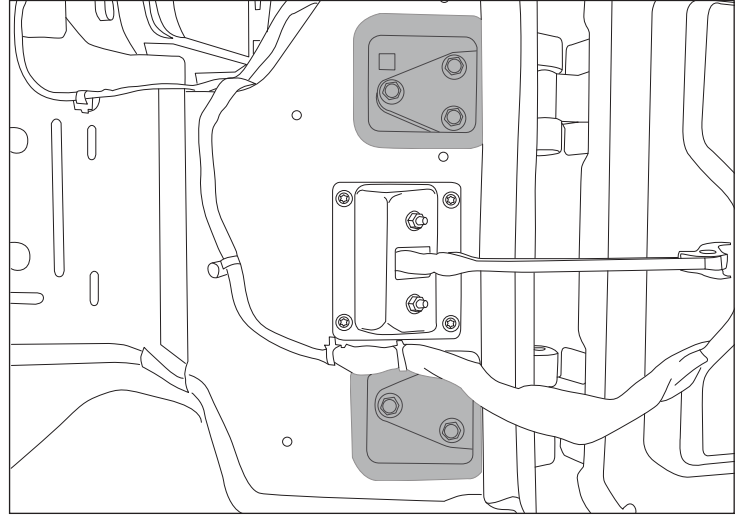


OMIX-ADA, Inc.

460 HORIZON DR. SUITE 400 | SUWANEE, GA 30024 | PHONE: 770-614-6101 | FAX: 844-270-0593 | www.Omix-ADA.com

Spartacus HD Tire Carrier - Hinge Casting, JL Wrangler

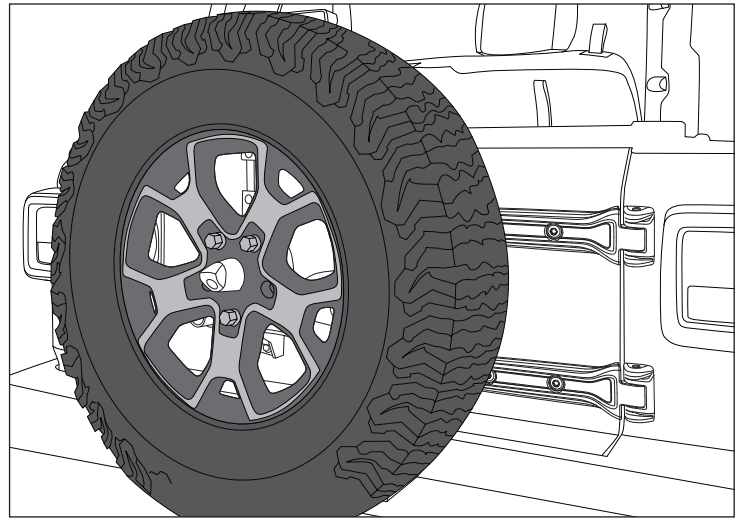
7. Using razor blade, carefully remove painted stickers from body to reveal hinges. Set aside for later use.



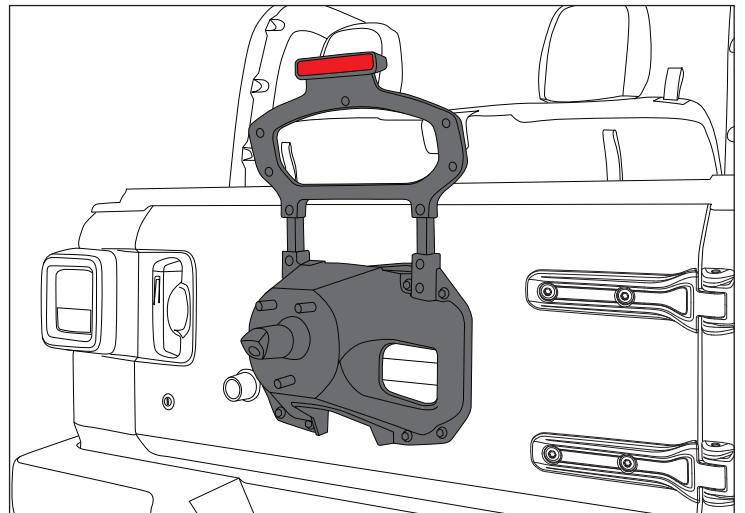
8. Close tailgate and remove spare tire.



Have another person help lift tire on wheel mount.



9. Using 13mm socket, remove eight factory bolts securing spare tire mount and set it out of the way.



**Rugged
Ridge**



OMIX-ADA, Inc.

ALLOY
USA

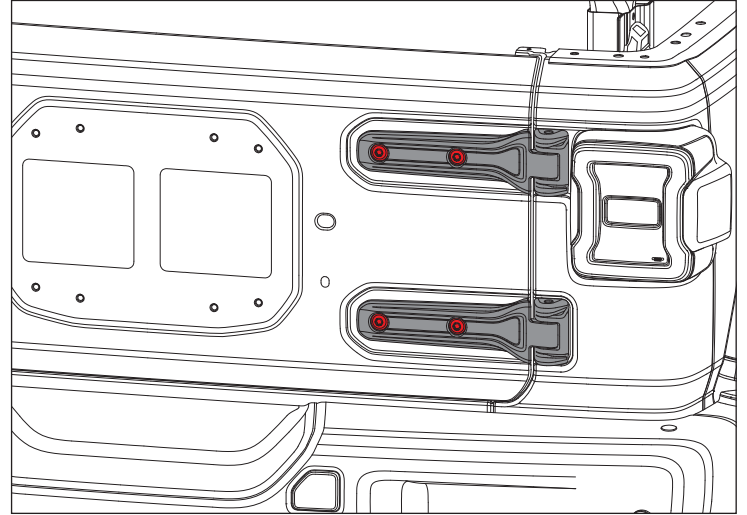
460 HORIZON DR. SUITE 400 | SUWANEE, GA 30024 | PHONE: 770-614-6101 | FAX: 844-270-0593 | www.Omix-ADA.com

Spartacus HD Tire Carrier - Hinge Casting, JL Wrangler

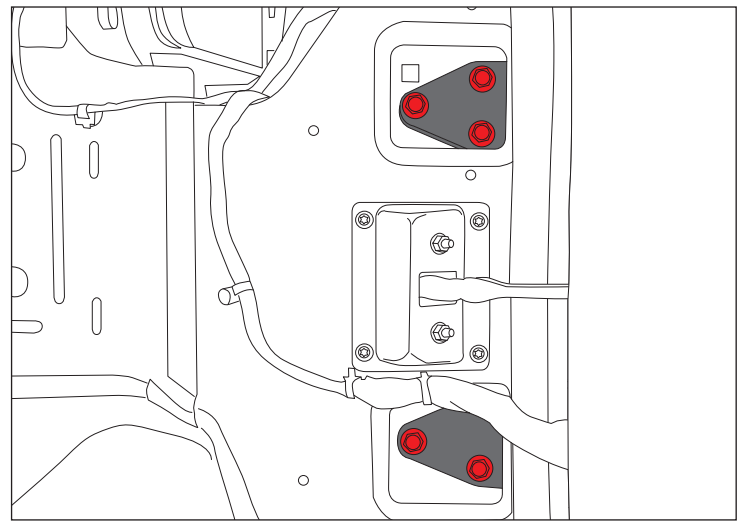
10. Using T55 Torx drive, remove four bolts securing factory hinges to tailgate.

NOTICE

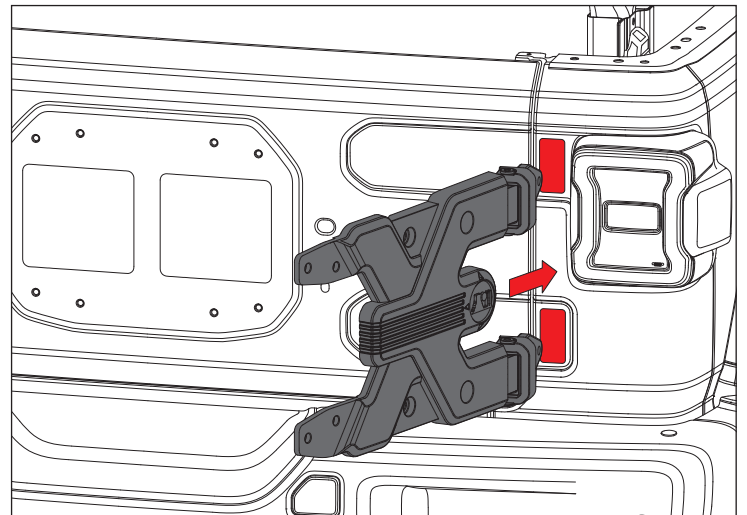
Ensure tailgate is securely latched and remains closed until Spartacus Hinge Casting is securely installed.



11. Without opening tailgate, remove six bolts securing factory hinges to body and remove hinges.



12. Insert Spartacus Hinge Casting in body openings and loosely install using six factory bolts removed in step 11.



**Rugged
Ridge**



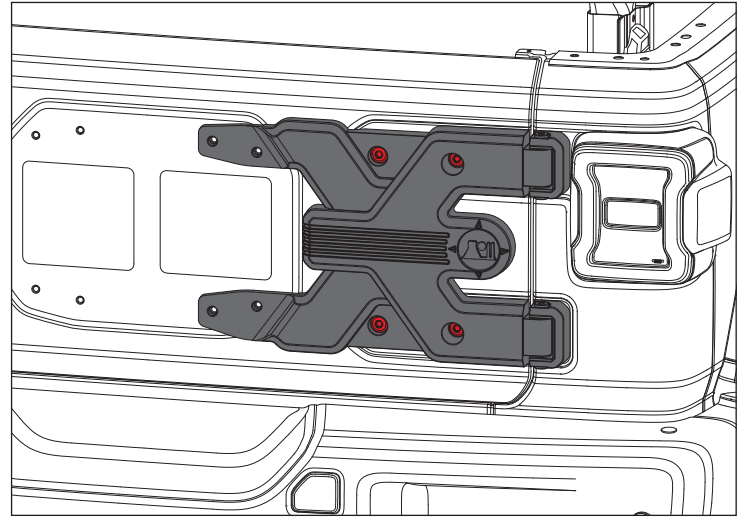
OMIX-ADA, Inc.

Alloy
USA

460 HORIZON DR. SUITE 400 | SUWANEE, GA 30024 | PHONE: 770-614-6101 | FAX: 844-270-0593 | www.Omix-ADA.com

Spartacus HD Tire Carrier - Hinge Casting, JL Wrangler

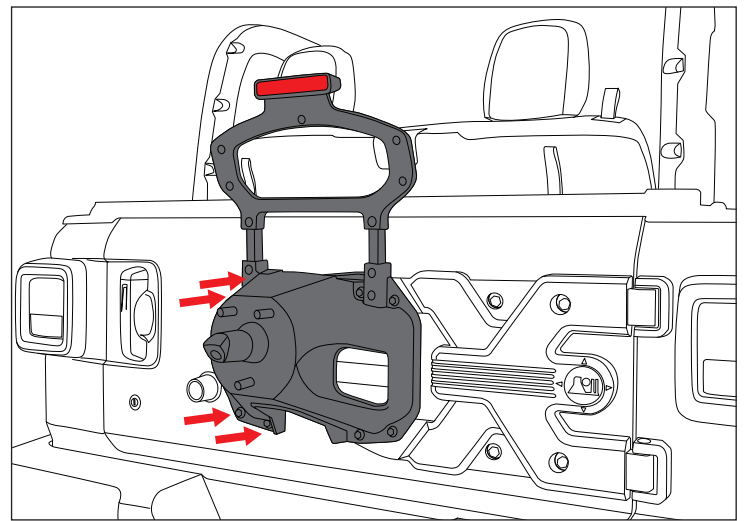
13. Close Spartacus Hinge Casting and press against tailgate. Install supplied M10 hardware in factory hinge mounting holes.



14. Install spare tire mount using factory hardware and supplied Spacer Plates on drivers side.

NOTICE

If installing Spartacus Wheel Mount (11546.57) along with Spartacus Hinge Casting, use of Spacer Plates is not required.



15. Tighten all mounting hardware and reinstall painted stickers removed in step 7.

16. Reinstall spare tire and all factory trim components.

WARNING

Failure to tighten lug nuts to proper torque specification could result in serious injury or property damage.

