

Technical Data Sheet

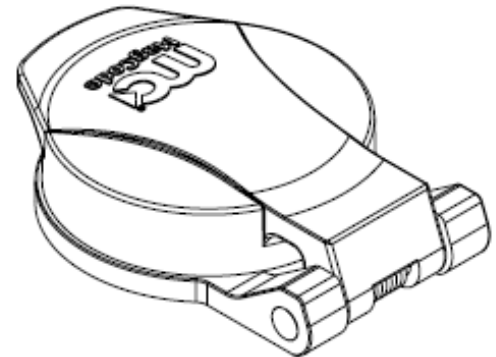
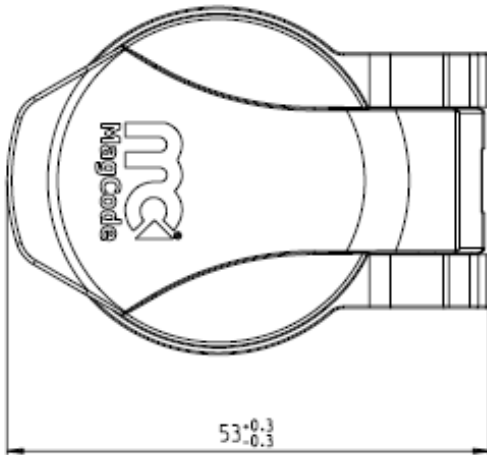
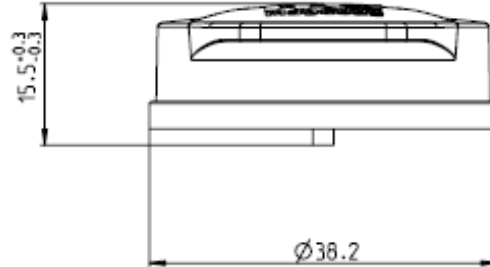
Rosenberger

PowerSystem

M2Z101-3XX



COVER POWERSYSTEM /
POWERSYSTEM PRO
PORT 12/24V



All dimensions are in mm; tolerances according to ISO 2768 m-H

Component

Spring-loaded cover for use with

Magcode PowerSystem Port 12V	M2S101-3xxx
Magcode PowerSystem Port 24V	M2S102-3xxx
Magcode PowerSystem Port Pro12V	M2S103-3xxx
Magcode PowerSystem Port Pro24V	M2S104-3xxx

Documents

Assembly instruction N/A

Material and plating

Parts

	Material	Plating
Housing	PBT ASA GF20	none
Spring	1.4310	none

Dieses Dokument ist urheberrechtlich geschützt • This document is protected by copyright • Rosenberger Hochfrequenztechnik GmbH & Co. KG

RF_35/09.14/6.2

Technical Data Sheet

Rosenberger

PowerSystem

M2Z101-3XX



COVER POWERSYSTEM /
POWERSYSTEM PRO
PORT 12/24V

Electrical Data

None N/A

Mechanical Data

Mating cycles N/A

Environmental Data

Temperature range -45°C to +85°C
2002/95/EC (RoHS) compliant

Packing

Standard bulk
Weight ~ 10,6g

Change History

Rev.	Date	Change
a01	27.09.2018	- added new logo: Rosenberger

Dieses Dokument ist urheberrechtlich geschützt • This document is protected by copyright • Rosenberger Hochfrequenztechnik GmbH & Co. KG

While the information has been carefully compiled to the best of our knowledge, nothing is intended as representation or warranty on our part and no statement herein shall be construed as recommendation to infringe existing patents. In the effort to improve our products, we reserve the right to make changes judged to be necessary.

Draft	Date	Approved	Date	Rev.	Engineering change number	Name	Date
A. Botsch	30.07.09	R. Senf	27.09.18	a01	18-1469	M. Mamou	27.09.18

Rosenberger Hochfrequenztechnik GmbH & Co. KG
P.O.Box 1260 D-84526 Tittmoning Germany
www.rosenberger.de

Tel. : +49 8684 18-0
Email : info@rosenberger.de

Page

2 / 2

RF_35/09.14/6.2